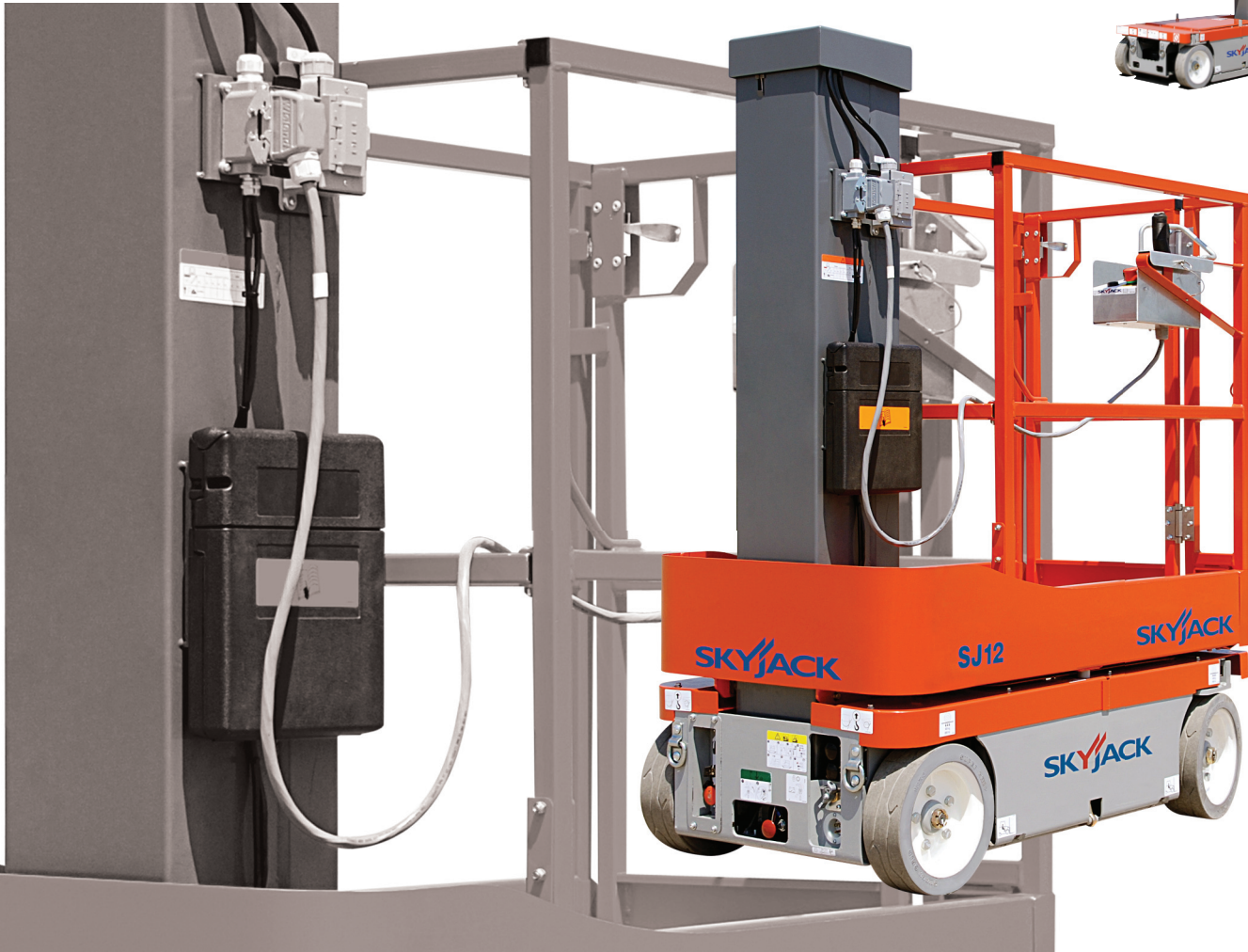




MODEL | SJ 12



SJ 12 SELF PROPELLED VERTICAL LIFT

Skyjack has established itself as an industry leader in providing the most robust and reliable aerial work platforms. Skyjack's new SJ12 self propelled vertical mast lift is no different, utilizing the same design features while providing a compact footprint and superior maneuverability.

When operating in tight workspaces, a high degree steer angle allows for superior functionality and flexibility by offering zero inside turning radius. The SJ 12 also features a 20" traversing platform,

providing increased access and the ability to reach over potential obstacles. A unique slide away platform provides easy access to components, when raised or in the stowed position.

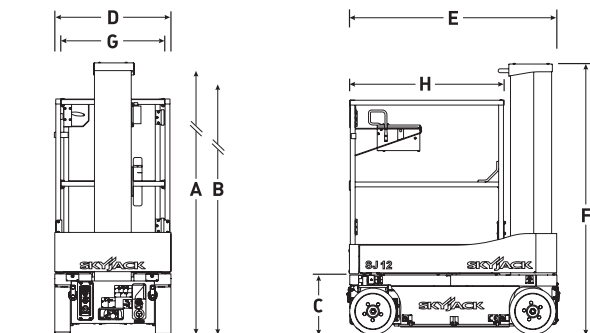
Skyjack's standard color coded and numbered wiring system with hard-wired relay based controls help to ensure the new SJ 12 lives up to Skyjack's reputation for quality and serviceability.

NEW

SJ 12

Self Propelled Vertical Lift

Specifications*	SJ 12
A Work Height	18' (5.48 m)
B Raised Platform Height	12' (3.65 m)
C Lowered Platform Height	18" (0.45 m)
D Overall Width	30" (0.76 m)
E Overall Length	54" (1.37 m)
F Stowed Height	69.5" (1.76 m)
G Platform Width (Inside Dimension)	26.5" (0.67 m)
H Platform Length (Inside Dimension)	38.5" (0.97 m)
Ground Clearance (Stowed)	2.5" (6.35 cm)
Ground Clearance (Elevated)	.75" (1.91 cm)
Weight	1,720 lbs (782 kg)
Local Floor Load (with rated load)	115 psi
Local Floor Load (no load)	85 psi
Gradeability	30%
Turning Radius (Inside)	0
Turning Radius (Outside)	56" (1.42 m)
Drive Speed (Stowed)	2.5 mph (4.0 km/h)
Drive Speed (Raised)	0.5 mph (.80 km/h)
Maximum Drive Height	Full Height
Capacity (Overall)	500 lbs (227 kg)
Maximum # of Persons	2



STANDARD FEATURES

- Drivable at full height
- Variable speed, front two wheel hydraulic drive
- Zero inside turning radius
- Dual holding brakes
- Proportional controls
- 20" (0.51 m) Traversing platform
- 24V DC power source
- Low voltage battery protection
- 30% gradeability
- Solid rubber, non-marking tires
- Pothole protection system
- 110V AC outlet at platform with GFI
- 28 mph wind rating
- Tilt alarm with drive & lift cut-out
- All motion audible alarm
- Lanyard attachment points
- Operator horn
- Lift rings/tie downs
- Chain entrance
- Relay based control system
- Color coded and numbered wiring system

OPTIONS†

- Flashing light
- AC inverter
- Half height spring hinged gate
- Full height spring hinged gate
- Light duty pipe rack/steel stud rack
- Tool tray

† Capacities, and machine weights may differ when options are added.

Skyjack Head Office

55 Campbell Rd. Guelph, ON Canada N1H 1B9
 Sales Inquiries: 1-877-755-4387 (1-877-SJLIFTS)
 Main Switchboard: 1-800-265-2738
 Phone: 519-837-0888
 Fax: 519-837-8104
 Email: skyjack@skyjack.com

www.skyjack.com

This brochure is for illustrative purpose only and based on the latest information at the time of printing. Skyjack Inc. reserves the right to make changes at any time, without notice, to specifications, standard and optional equipment. Consult the Operating Maintenance and Parts Manuals for proper procedures. Work platforms have been tested to comply with ANSI and CSA standards as interpreted by Skyjack, Inc.



2 YEAR GOLD LEAF PROTECTION PROGRAM

SKYJACK